

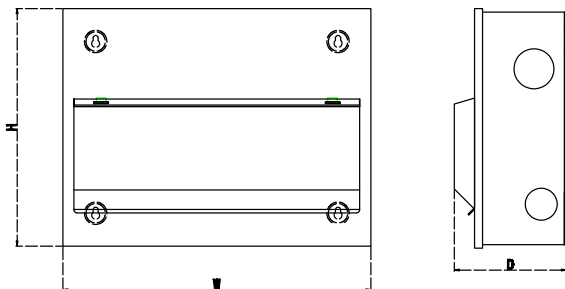
## Domestic Consumer Units (18 Edition)

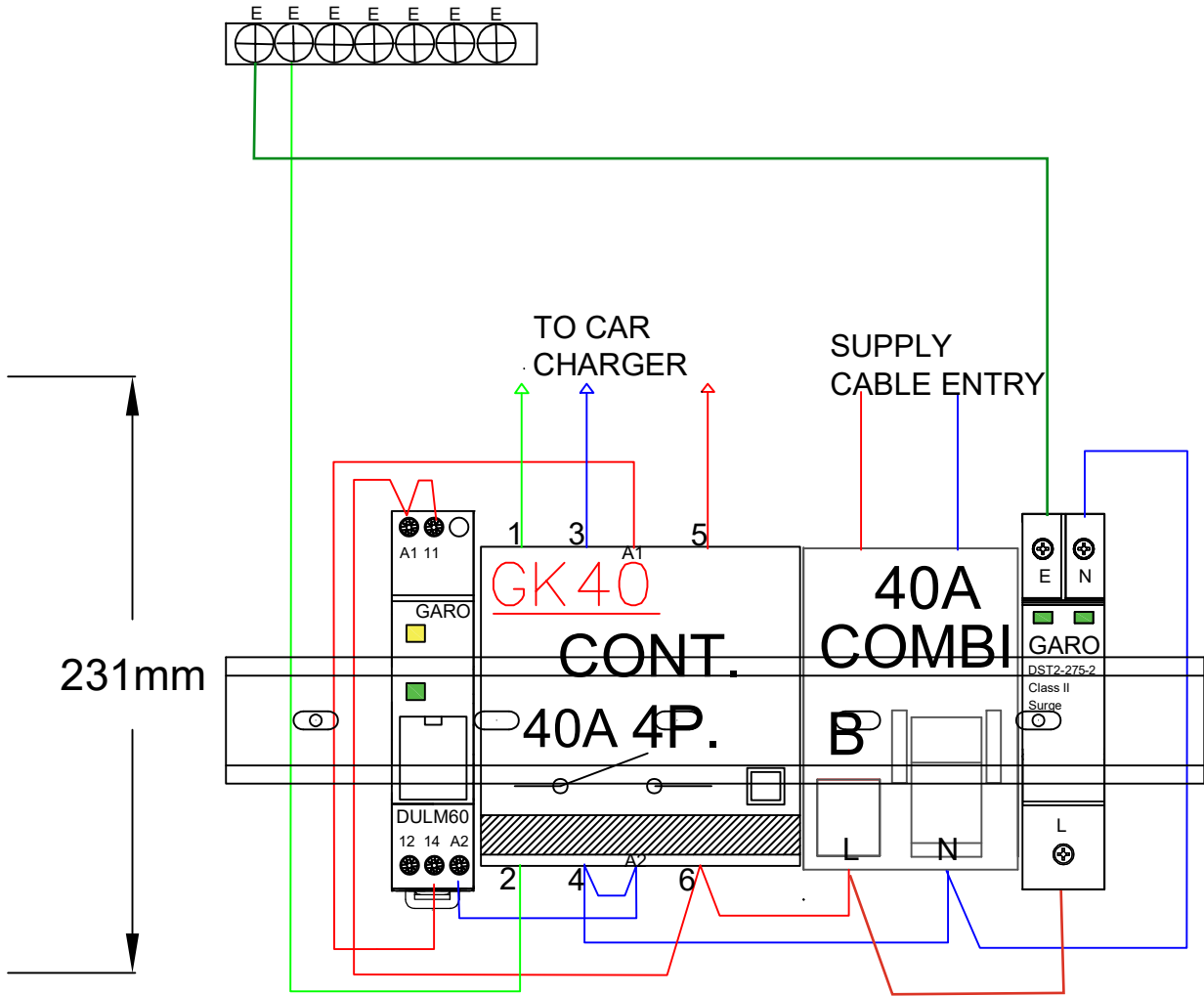
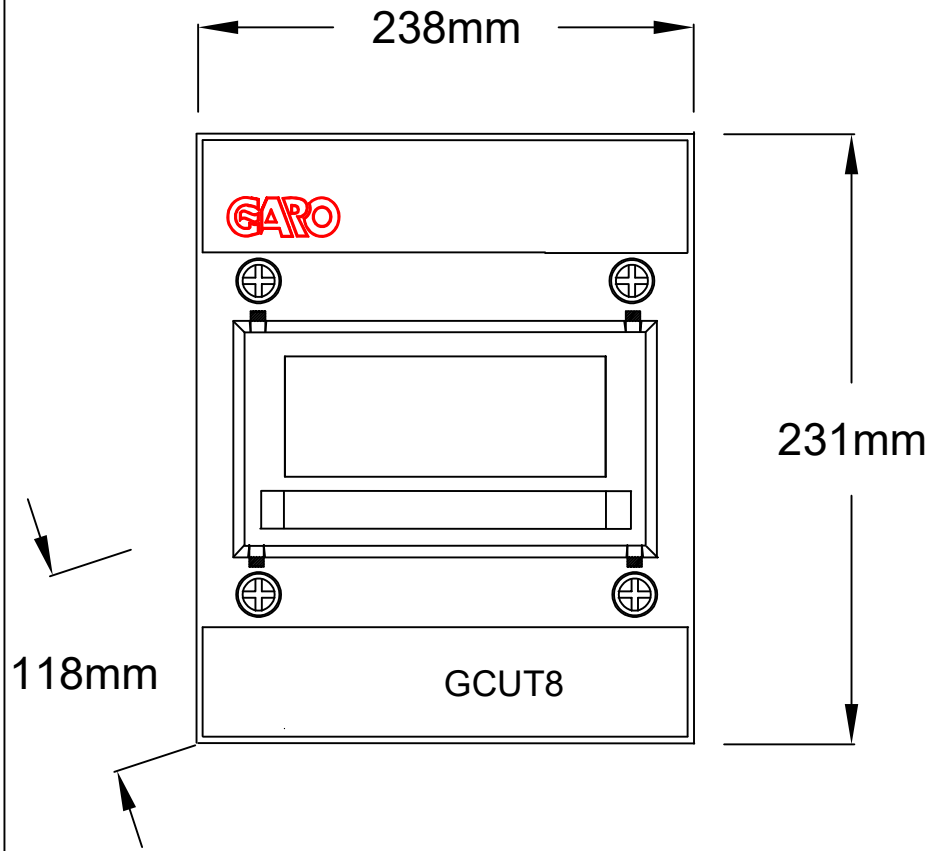


### Technical data GCS8EV40PME

Rated current	40A
Rated voltage	230 V AC
Frequency	50/60 Hz
Rated Conditional Short Circuit (Icc)	Annex ZB: 16kA rms at 250V
Main Device	40A RCBO <b>Type A</b>
Additional Devices	PME Fault detection & Surge
Operation	213V - 253V (4 seconds)
Degree of protection	IP65
Total number of ways	8
Total Number of free ways	0
Height..mm (H)	231
Width..mm (W)	238
Depth..mm (D)	118
Ambient temperature (C)	-25.....+55
Storage temperature (C)	-35.....+55
Terminals	25mm
Material	Metal
Standard	EN 61439-3
	Compliance with BS 7671
Warranty (Mechanical Components)	5 Years
Warranty (Electronic Components)	2 Years

For EV chargers with DC leakage protection





					=
					+
NO	DESCRIPTION	DATE	NAME	CHECK	APPD

PROJECT  
GCS8EV40PME  
24-10-25



Unit 16, Aston Hall Road,  
Aston, Birmingham, B6 7FH

DRAWING No.	SHEET
	-
PROJECT No	



Dokument/document		Utgava datum/edition date
Försäkran om överensstämmelse/ Declaration of conformity		2018-06-14
Avdelning/department Kvalite/Quality		
Ansvarig/prepared Magnus Arvidsson	Version 3	Sida/page 1 av/of 1

Supplier/Tillverkare: **GAROAB**  
Box 203  
S-335 25 GNOSJO Telephone: +46 (0)370 33 28 00  
Sweden Telefax: +46 (0)370 33 28 50

Supplier established within EU/Ombud etablerad inom EG

Supplier of equipment /Materielslag : Consumer unit/Normcentral

Trade Mark/ Varumärke: GARO

Type Designation / Typbeteckning: G, GS, 4, 6, 8, 10, 12, 14,16,18, 21, 28, 32, EV, S, R,  
C, PME.

We hereby declare that our product fulfils the requirements of following EC directives/  
Vi intygar härmed att vår produkt uppfyller krav enligt följande EU direktiv:

- The Low Voltage Directive (LVD) 2014/35/EU / Lågspänningsdirektivet (LVD) 2014/35/EU.
- Electromagnetic compatibility (EMC) 2004/108/EU / Elektromagnetisk kompatibilitet (EMC) 2004/ 108/EG.
- RoHS Directive (RoHS) 2011/65/EU / RoHS direktivet (RoHS) 2011/65/EG.
- No electromagnetic compatibility (EMC) immunity or emission tests are required on the assembly/  
Produkten innehåller inte elektroniska apparater som påverkas enligt förbehållen enligt direktivet  
(EMC) 2004/108/EG.

The following harmonised standards (latest edition) or technical specifications which comply with good engineering practice in safety matters in force within the EU have been used in the design: /

Följande harmoniserade standarder (senaste utgåva) eller tekniska specifikationer som uppfyller god säkerhetsteknik praxis inom EG har använts i konstruktionen: SS EN 63439-3

The equipment conforms completely with the above stated harmonised standards or technical specifications. /  
Materielen överensstämmer helt med ovan angivna harmoniserade standarder eller tekniska specifikationer.

Or/ Eller

- The equipment confirms only partially with the above stated harmonised standards or technical specifications but complies with good practice in safety matters in force within the EU. /  
Materielen överensstämmer endast delvis med ovan angivna harmoniserade standarder eller tekniska specifikationer, men uppfyller god säkerhetsteknik praxis inom EG.

We have product surveillance according to CENELEC's harmonised requirements, documents CCA-201.

Garo AB  
Company/Företag

2018-06-14  
Date/Datum

Sign/Underskrift

Environmental- and Quality Manager/Kvalitets- och Miljöchef  
Position/Befattning

Magnus Arvidsson  
Name / Namnförtydligande