

Recharge



SEVEN_{PRO}

Product Datasheet



DATASHEET V1.3 2024

I N T R O D U C T I O N

The VCHRGD Seven Pro is a premium 7.4kW charging solution designed for domestic, fleet-at-home, destination, and workplace applications. Delivering 32A of single-phase power, this charger combines reliable performance with user-friendly features to support the needs of everyday EV charging.

With built-in WiFi, RFID, and Bluetooth connectivity, the Seven Pro ensures smooth operation and effortless management. Enhanced safety is provided by PEN, UV/OV & temperature protection, while dynamic load management optimises power usage across your system. Backed by a 3-year warranty, it's a solution built to last.

Featuring a sophisticated two-tone matte and glossy black design, the Seven Pro offers a clean, modern aesthetic that complements any setting. Its innovative push-fit installation simplifies setup and ensures ease of maintenance for years to come.

Practical, efficient, and stylish, the VCHRGD Seven Pro redefines cost effective convenience in EV charging.



INTRODUCTION

PRODUCT FEATURES



UNTETHERED
TYPE 2 UNIVERSAL

TETHERED
5 OR 7.5M TYPE 2

KEY FEATURES

Load Balancing
Hard-wired dynamic load balancing with CT provided in box. Never overload your main supply

Robust Casing
Robust IK10 rated ABS casing. Chargers built to last in any environment

Push Fit
Simple installation with modular charging hardware, increased wiring area push fit connection

PEN Protection
Simplified installation and reduced project costs, through built in PEN protection

RFID
Built-in RFID reader for easy charge card registration and local charge authorisation

OCPP 1.6
OCPP 1.6 compliant for easy integration with a plethora of back-end service providers

Universal Socket
Universal Type 2 socket or tethered 7.5 metre Type 2 Cable built in

Solar Integration
Our chargers monitor your solar export, allowing you to charge for free with 1 or 2 CT Inputs

Secure
Compliant with all UK smart charging standards & encrypted bluetooth, WiFi & RFID

Cable Lock
Turning untethered chargers into tethered at the touch of a button. Secure your cable

S P E C I F I C A T I O N

KEY SPECIFICATIONS

Electrical Characteristics

Charger Type	Mode 3 (IEC61851-1)
Nominal Supply	Single phase 230V, 50/60Hz
Charging Power	Up to 32A (7kW)
Over Current Protection	40A
Current rating	Adjustable (6A to 32A)
Standby Power Consumption	<2.5W
Earth Leakage Protection	AC 30mA + DC 6mA (2P Type A RCBO Required)
PEN Protection	BS7671:722.411.4.1 Ident V
Supply Connection	L, N + PE / CT1 + CT2

Connectivity

WiFi	(IEEE 802.11bgn) @ 2.4Ghz WPA-2
Connection security	Transport Layer Secure Encryption HTTPS
Bluetooth	2.4GHz
RFID	~ 120 -140kHz
4G Cellular *Optional*	~ 600 MHz -2.5 GHz

Mechanical Features

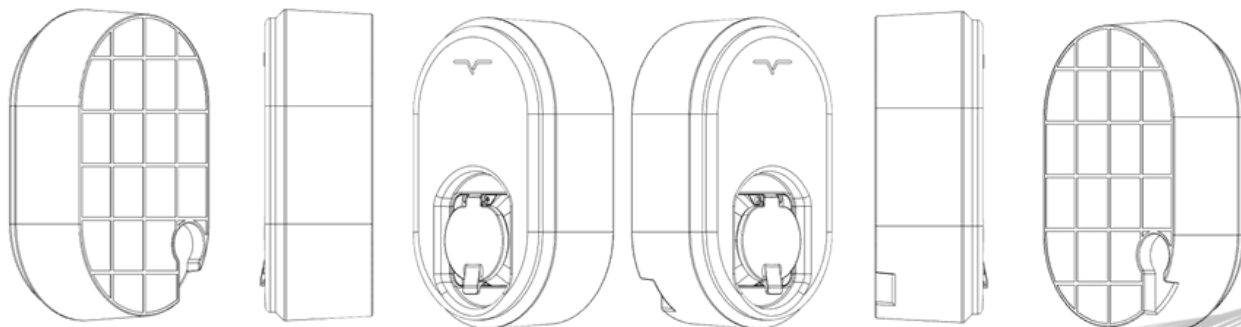
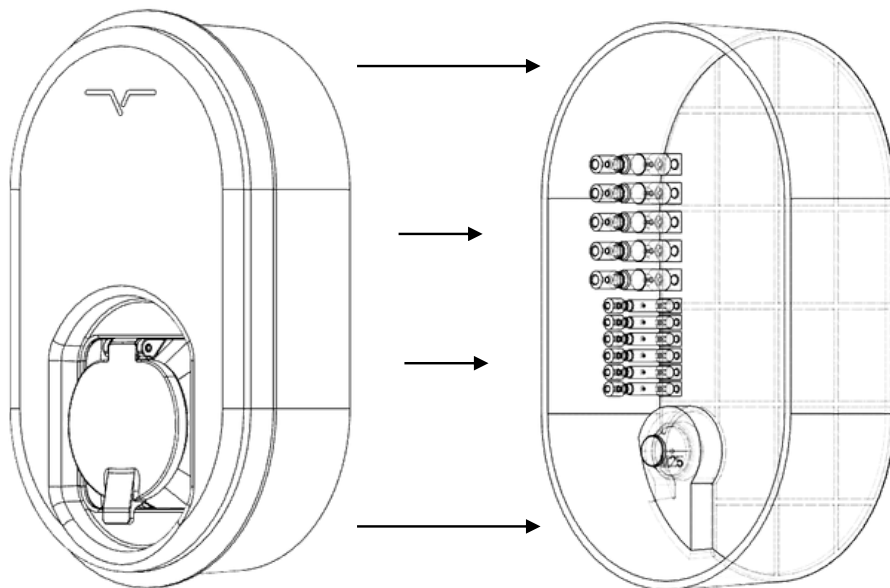
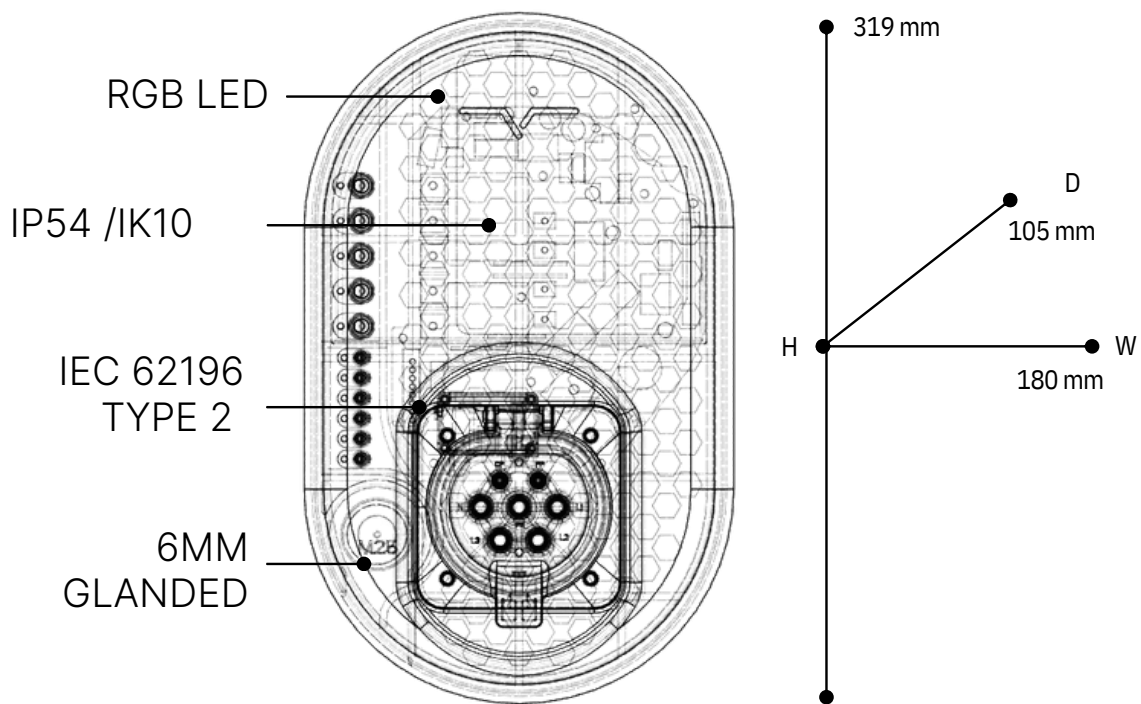
Connector	Type 2 IEC62196
Mounting	Wall or Pedestal
Dimension (mm)	300 (L) 180 (H) 90 (D)
Weight	3kg approx. (excl. charging cable) 4kg w/ cable
IP Class/IK Class	IP54 / IK10

Safety & Operational Ratings

Status	LED Indication, Mobile App (OCPP 1.6j)
Operating Ambient Temperature	-25°C to 50°C
Relative Humidity	5% -95%
Atmospheric Pressure	80kPA -110kPA
EMC Compliance	IEC61000-4
Integral Protection	Under & Over Voltage, Temperature & Current 6mA DC Leakage, RCDD PEN Fault Detection

SPECIFICATION

CASING & DIMENSIONS



P A C K A G I N G

I N S I D E T H E B O X

I N T E R N A L P A C K A G I N G

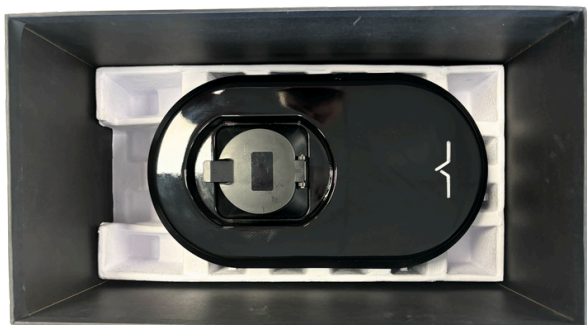
INTERNAL PROTECTIVE PACKAGING

KEEP ME GUIDE, FIXINGS PACK, 2X RFID CARDS



C H A R G E P O I N T

7KW CHARGEPOINT W/ CABLE IF TETHERED



E X T E R N A L P A C K A G I N G

PROTECTIVE CARDBOARD MATTE FINISH ANTI-

SCUFF SLEEVE, RIGID CARDBOARD CORE

PACKAGING WITH INTERNAL PROTECTION



100% RECYCLABLE

ALL PACKAGING MATERIALS ARE 100% RECYCLABLE AND SHOULD BE RESPONSIBLY DISPOSED OF AFTER INSTALLATION



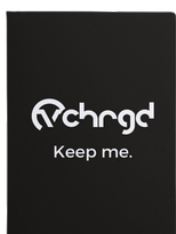
● F I X T U R E S

4 X WALL MOUNTING SCREWS
 4 X WALL PLUGS
 3 X FERRULES
 1 X TORX+ DRILL BIT
 5 X TORX+ BACK BOX SCREWS



● C T C L A M P

1 X CT CLAMP AS STANDARD
 2ND CT CLAMP IF ORDERED
 EASTRON SPLIT CORE CT 120A
 RATED INPUT 40MA OUTPUT
 0.5% ACCURACY



● K E E P M E G U I D E

COMMISSIONING & SET UP GUIDE
 TO BE LEFT WITH CUSTOMER
 INSTALLER PASSWORD, APP SET
 UP CREDENTIALS & QR CODES TO
 DOWNLOAD USER/INSTALL APPS



● R F I D C A R D S

2 X TAP & CHARGE RFID CARDS
 USED TO AUTHORISE CHARGING
 IN TANDEM WITH VCHRGD HOME
 APP, OR IN STANDALONE RFID
 MODE IF NO DATA CONNECTION

NOTE | IT IS IMPORTANT TO ENSURE THAT THE CUSTOMER
 RETAINS THE KEEP ME GUIDE FOR HOME APP SIGN UP
 AND ONGOING SUPPORT PURPOSES.

Looking to learn a little more?
Why not reach out...



01494 370525



sales@vchrgd.com



www.vchrgd.com



1A Eghams Court, SL8 5YS



SIMPLICITY | SUSTAINABILITY | SUPPORT