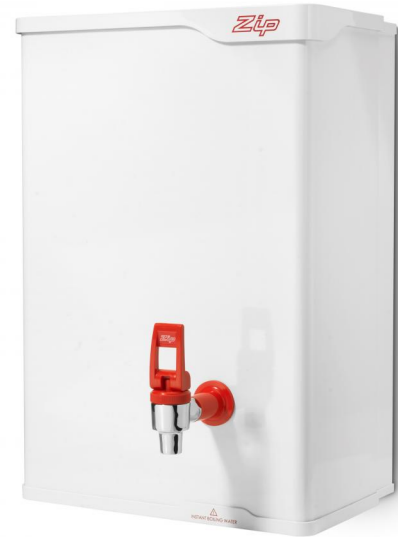




Zip Hydroboil Econoboil

Instant on-wall boiling water

The EconoBoil is a thermostatically controlled instant boiling water system for settings where affordable reliability is required. The 3 litre Econoboil delivers boiling water at a constant temperature from a smart, compact unit.



MODEL	TANK SIZE (litres)	HEAT UP TIME (INLET 15°C)	HEAT UP TIME (INLET 10°C)	NOMINAL POWER RATING KW	DIMENSIONS W X D X H	FILLED WEIGHT
403542	3	16mins	17mins	1.4 kW @ 230V	300mm x 183mm x 439mm	12.5kg

Features and benefits

Convenience

The Hydroboil range delivers reliable boiling water instantly, saving time and helping to increase workplace productivity.

Space saving

Wall-mounted units save much-needed counter-top and under-counter space.

Easy and safe to use

Simple controls and a range of safety features give you complete peace of mind.

Energy efficient

Steam-Heat-Boost technology saves energy by recycling steam to pre-heat incoming cold water – making boiling quicker and less costly.

Wide range

With capacities ranging from 1.5 to 40 litres, there is a model for every situation.

Product detail

Specification type

Product code	403542 (HS503)
Product name	EconoBoil HS503 3ltr Instant on-wall boiling water heater in white
Case material	Corrosion Resistant White Enamelled Steel
Instant boiling water	Twin chamber
Control	N/A
Service Access Port	Top and bottom

Capacity, weights & dimensions

Capacity	3ltrs
Unit dimension (W x D x H)	300mm x 183mm x 439mm
Product weight	12.5kg

Plumbing

Wholesome cold water inlet supply required	Yes
Supply pressure range	0.07 MPa (0.7bar) - 0.5 (5bar)
Inlet pipe	1/2"bsp
Vent pipe	15mm
Vent discharge	Visible tundish or drainage board
Installation	Must comply with current water supply regulations

The minimum water pressure will vary if a limescale filter is installed. Please contact us to discuss your requirements.

Electrical

Nominal power rating kw	1.4 kW @ 230V
Power supply 1.5L to 25L models	1 x 13A double pole isolation switch or socket outlet
Installation	Must comply with current IEE regulations

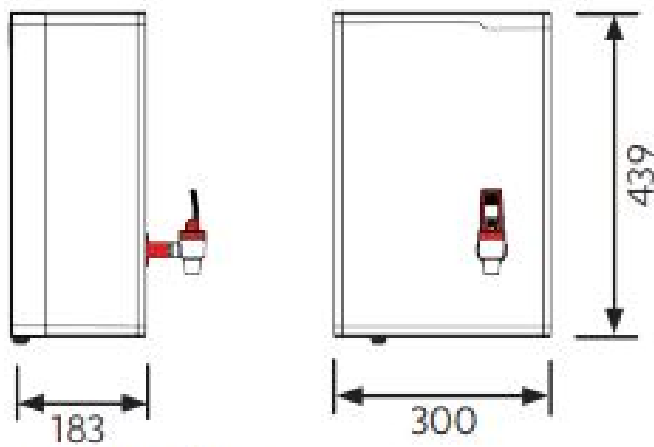
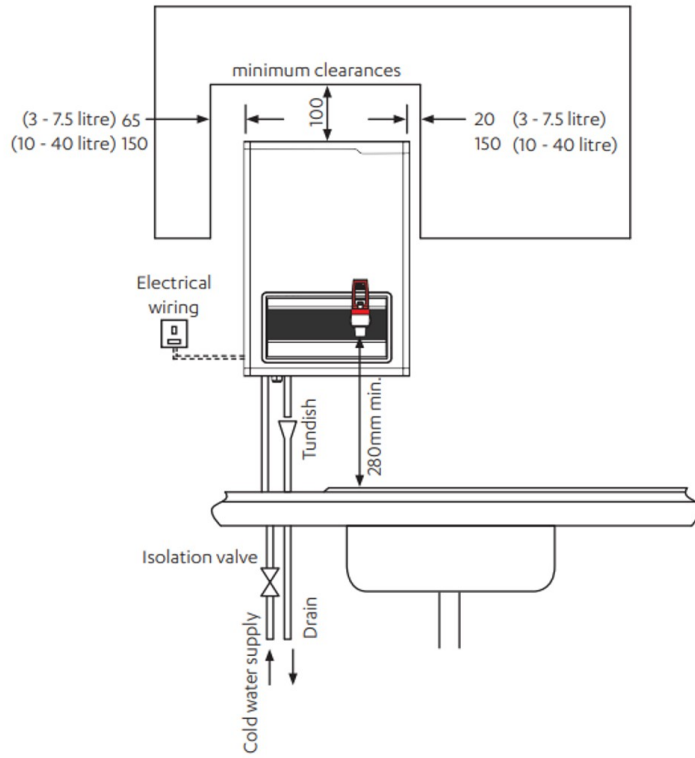
Warranty

1 Year on-site parts and labour on site	Terms and conditions apply (visit website for more information)
---	---

Technical drawings & dimensions

All dimensions in mm

All dimensions in mm



403542 3.0 litre